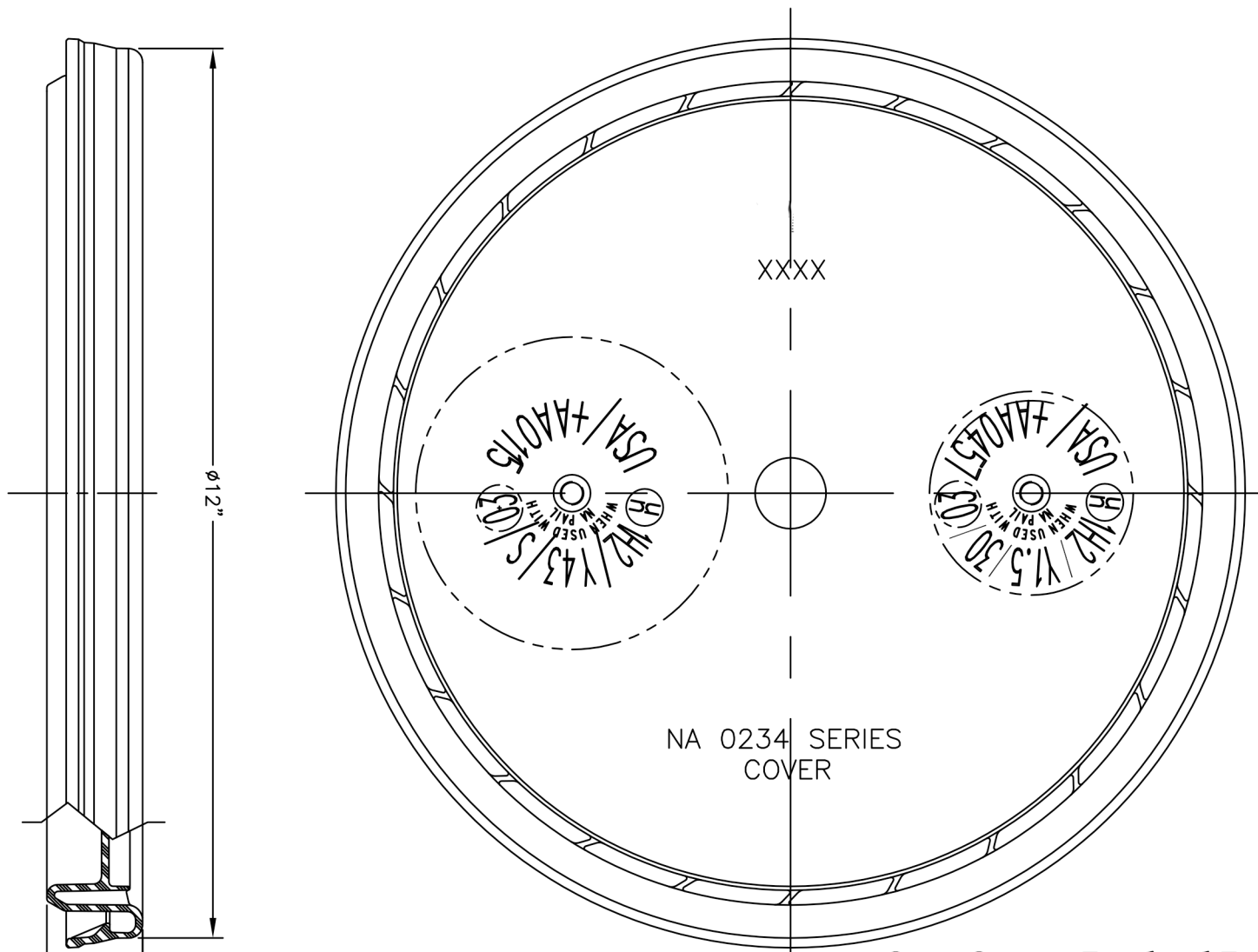


C-00506-090-UN-SS-SF

| | | | | |
|------|------------|----------------|---|----------------|
| REV# | CHANGE | DATE | BY | DATE: 02/09/09 |
| | SCALE: NTS | MATERIAL: HDPE | DESCRIPTION: 5 GALLON UN/1H2 90 MIL SHORT SKIRT COVER | |
| | CHECKED: | DRAWN BY: BMD | DRAWING # C-00506-090-UN-SS | |
| | APPROVED: | | | |



- NOTES:
- WEIGHT: -330 GRAMS
 - WALL THICKNESS: -90 mils
- MATERIAL:
- * PREMIUM HDPE INJECTION RESIN
 - * AVAILABLE IN A WIDE RANGE OF COLORS TO MEET CUSTOMER REQUIREMENTS
- CLOSURES:
- * MULTIPLE PUSH & CRIMP ON SPOUT OPTIONS AND SCREW CAP AVAILABLE
- GASKETS:
- * BLACK FDA GASKETS STANDARD
 - * MULTIPLE COMPOUNDS AVAILABLE